

## Zaptec Pro (MID)

intelligent charging system



No matter what you drive or where you're going, Zaptec Pro is the surest way to power your journey. A Zaptec charging system uses all available capacity and distributes it intelligently between the charging stations.

A smart and efficient charging station for larger parking spaces in housing cooperatives and co-ownership properties, companies and newbuilds. With 22kW power, you can charge your EV up to a driving range of 110 kilometers in only one hour.

## Use all available capacity

The available power is divided dynamically across all charging stations. Zaptec performs load and phase balancing, and the charging station switches dynamically between 1-phase and 3-phase charging for best possible utilisation. Zaptec has developed a very special way to balance between single-phase and three-phase charging. This allows the charging system to utilize the available power more efficiently than other charging stations. It gives you up to 66 percent better utilization of the power you have.

## Explore Zaptec Pro

### Expand the charging system

When installing Zaptec, the infrastructure can be set up for all parking spaces. If there is increased demand for charging, you can quickly and easily scale the existing infrastructure with no additional effort or investment in the fuse box.

### Better Internet connection

Zaptec's 4G LTE-M, which is supplied by Telenor, provides good uptime and can help make the charging system cheaper with no extra infrastructure. The charging system is online 24/7 and ensures that regular software updates are implemented.

### Distribute costs fairly

A built-in power meter indicates accurate consumption and allows shared garage or parking spaces to be assigned to and paid for by individual users. Use our administration system free of charge, or choose from a range of payment services for automatic payment, operation and support.

### 5 year warranty

Zaptec Pro is built to last. It is designed, developed and manufactured in Norway, for Norwegian conditions.



## Safe arrival every time



## We put safety first

At Zaptec we're as passionate about your safety as we are about electric power. Zaptec Pro leads the EV charging market in safety and is certified with the highest safety standards. Our entire charging system is approved by TÜV SÜD safety tests in accordance with IEC 61851-1, which defines a safe charging system.



## The charging system can easily be expanded

By preparing for EV charging in all parking spaces, you ensure that future charging stations can be installed quickly and easily.

The Zaptec Pro has a unique design with electrical connection back plates that allow the electrical work to be done separately from the actual

installation of the charging station. In A Zaptec installation shares a single circuit and a single power cable. All communication between the charging stations and cloud service Zaptec Portal takes place through the same power cable.

## Monitor your charging system with Zaptec Portal

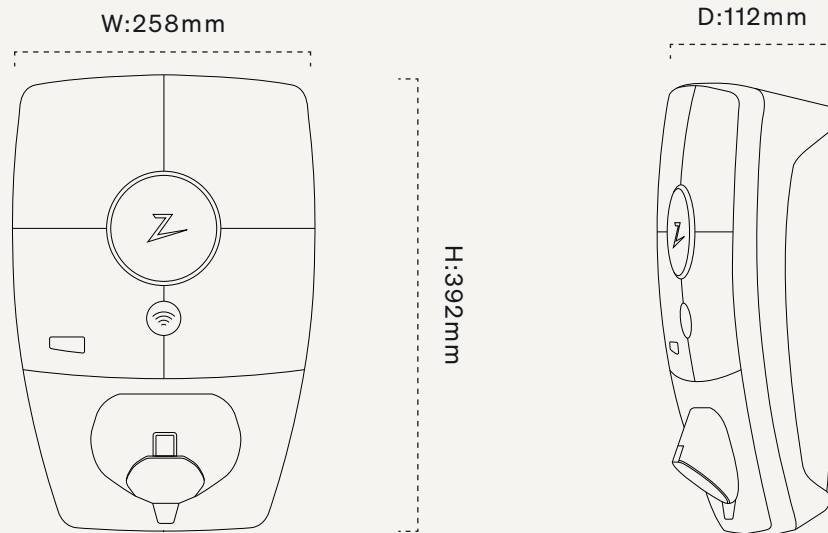
Zaptec Pro is connected to the brains behind our smart charging system, Zaptec Portal. It continuously monitors, balances and optimises the load between the various charging stations.

Installers and owners of charging installations can easily keep track of their installations in the Zaptec Portal. It is used to add charging stations, read charging history, install updates, monitoring, configurations and more.

## Future-proof and up-to-date

The charging station supports ISO 15118, which makes it ready for Plug & Charge, State-of-Charge and other exciting options that will make it possible for us to improve the user experience. With its use of advanced technology, built-in software and a cloud solution for configuration and monitoring, this charging system is set up for the future.

## Down to the details



## Technical information

Zaptec Pro is an alternating current wall or column-mounted charging station in accordance with IEC 61851-1, EVSE mode 3.

**Dimensions and weight**

H: 392 mm W: 258 mm D: 112 mm  
Weight: approx. 5 kg (including backplate)

**Installation circuit**

Max. 63A circuit breaker on installation circuit for charging stations.

**Backplate connection box**

Cable cross section 2.5–10 mm<sup>2</sup>  
Cable diameter 10–18,5mm

**Installation network, Voltages**

TN, IT and TT  
230VAC ±10%  
400VAC ±10%

**Max. current and charging output**

22 kW at 32A / 3-phase (applicable to TN networks only)\*  
12,7 kW at 32A / 3-phase (IT network)\*  
7,4 kW at 32A / 1-phase (IT/TN network)\*  
3W at standby

**Integrated circuit breaker**

Built-in 3 × 40A MCB (miniature circuit breaker) type C

**Charging socket**

IEC 62196-2 Type 2 with integrated self-closing cover. Electronic lock can be locked permanently by the user.

**Earth fault protection**

Built-in type B RCD  
Calibration and a self-test are carried out before the start of every charging cycle. RCD can be automatically reset by disconnecting from the charging connector.

**Integrated Power Meter**

MID class B certified (EN 50470)  
Display showing total energy (kWh)

**Theft protection**

The front cover of the Zaptec Pro can only be opened using a special tool. The charging cable can be locked permanently to the charging station.

**Load balancing**

Together with other Zaptec Pro charging stations, available power in the installation will be distributed automatically between the devices and phases.

**Phase balancing**

The charging station will dynamically select any single phase or 3-phase in a system with other Zaptec Pro charging stations, depending on the available power.

**Communications interface and cloud connection/network**

4G LTE-M  
Wi-Fi 2.4 GHz, IEEE 802.11 b/g/n (channels 1-11)  
Powerline (PLC) – HomePlug Green PHY®, 10 Mbit/s

**Identification and configuration**

Bluetooth 5.1 (BR/EDR/BLE)  
RFID/NFC reader – ISO/IEC 14443 A (Type A, 13.56 MHz) ISO/IEC 15693 (Mifare classic, 13.56 MHz)  
Plug and Charge - Hardware support for ISO15118  
RGBW LED-circle for status of unit

**Standards and approvals**

CE compliance in accordance with the Radio Equipment Directive 2014/53/EU and ROHS Directive 2011/65/EU, and compliance with IEC 61851-1 (TUV SÜD) and IEC 61851-21-2

**Temperature range**

–30°C to +40°C

**Degree of protection**

IP54, indoor and outdoor use  
IK10 impact protection  
UL94 5VB flammability rating  
UV resistant

**Electrical protection**

Protection class I  
Overvoltage category III (4kV)

**Integration services**

Third-party integration alternatives (API, Webhooks)  
OCPP 1.6J cloud-to-cloud  
Message subscription

\*32A is available but may be restricted by the condition of the vehicle's battery and temperature increases at the charging station.